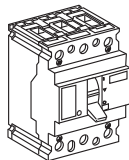


Connection of RCCB-ID

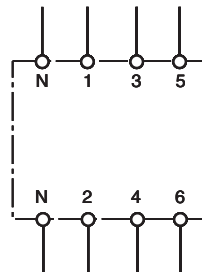
As in IEC 60947

Connection in three-phase with neutral

110...220 V
127...240 V

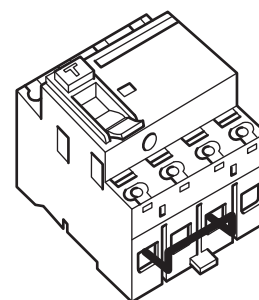
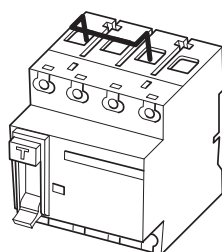
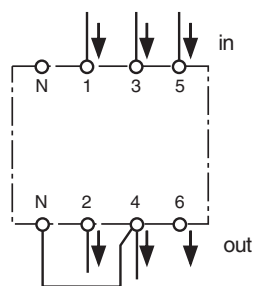
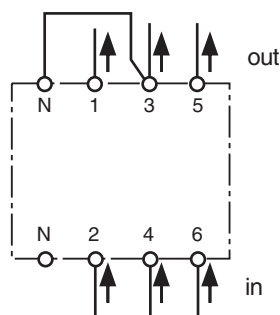


220...380 V
240...415 V

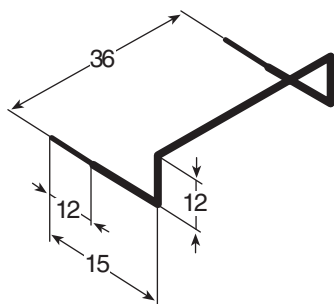


Connection in three-phase without neutral

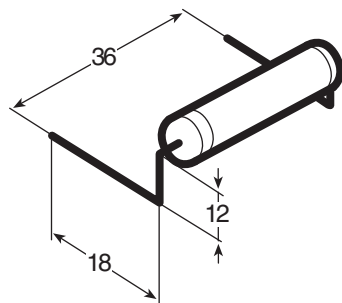
220...240 V



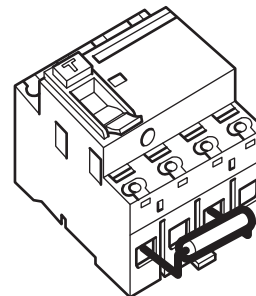
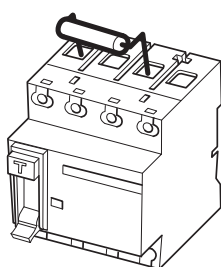
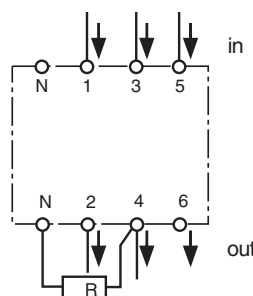
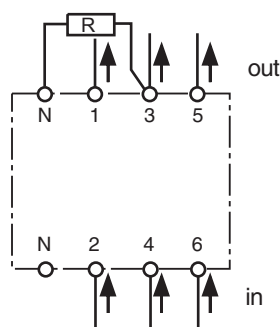
Copper insulated cable wire 1.5 to 2.5 mm²



Resistor (R: 4 W) not supplied



380...415 V



IDn (mA)	R (W)
30	2200
100	620
300	220
300	620
500	220
500	620