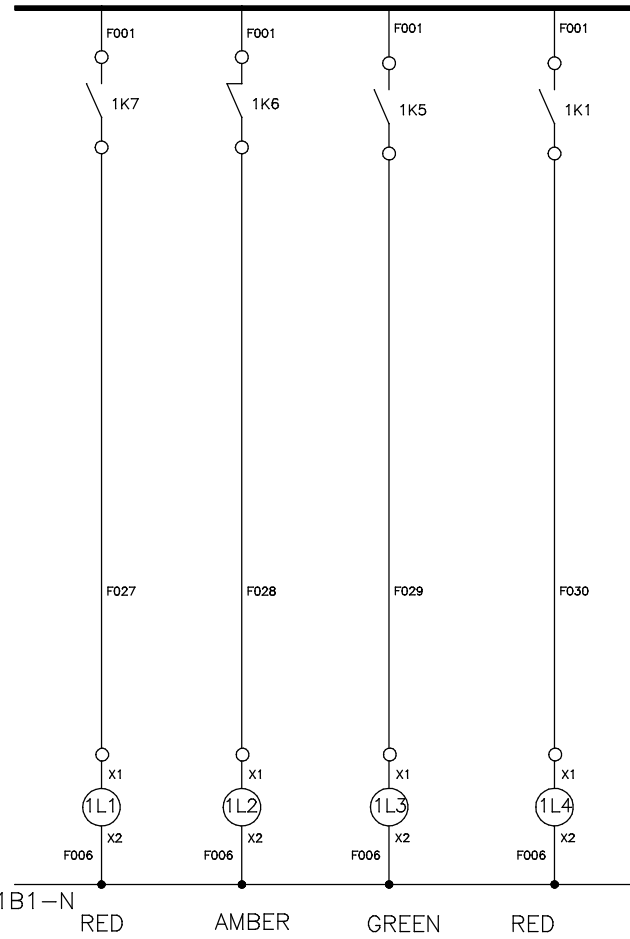


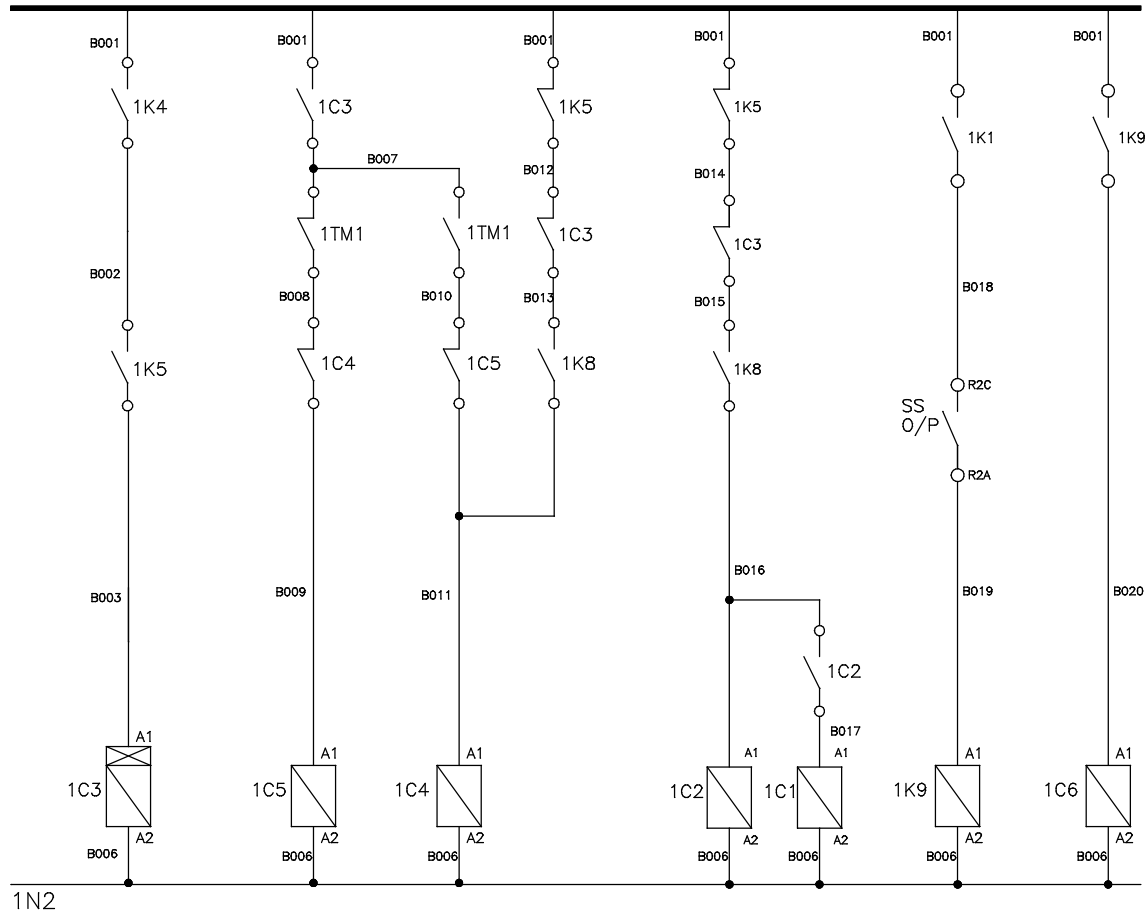
All information contained in this document is confidential and copyright thereof is reserved by SCHNEIDER ELECTRIC INDIA(P) LTD. They shall not be used for any purpose other than for which they are supplied and shall not be copied or reproduced without written permission

0	1	2	3	4	5	6	7	8	9
MOTOR ON INDICATION	MOTOR FAULT INDICATION	BYPASS SEL INDICATION	CONTROL ON INDICATION	BY PASS START	STAR	DELTA	DRIVE MODE	BYPASS ON CMD	

1B1-PH.



1B2



1B1-N

RED AMBER GREEN RED

1N2

CONTROL WIRING
110KW SOFTSTARTER

CUSTOMER:	
ENDUSER:	
PROJECT:	
APPLICATION:	--
TITLE:	CONTROL WIRING



Schneider Electric India Pvt. Ltd.

DRG. NO.:-	
F.NO.:-	REV.
SHEET :-	

REV	DATE	DESCRIPTION	SIGN.	REV	DATE	DESCRIPTION	SIGN.	APPD	
				0	21.12.06				

All information contained in this document is confidential and copyright