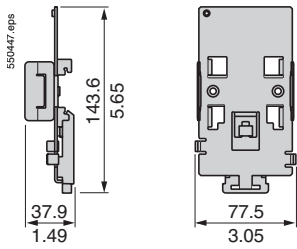


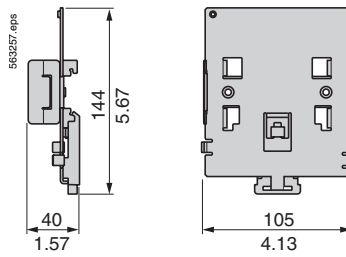
Altivar® 31 Adjustable Speed AC Drives Dimensions and Weights

DIN rail mounting plates

VW3A11851



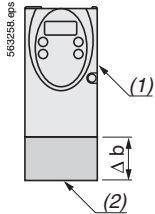
VW3A31852



Dimensions: $\frac{\text{mm}}{\text{in.}}$

UL Type 1 conduit entrance kit

VW3A31811 to VW3A31817



NOTE: The width of the conduit entrance kit is the same as the drive.

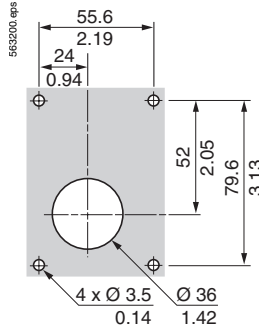
1. ATV31 drive
2. Conduit entrance kit VW3A3181*

VW3*****	Δb, mm (in.)
A31811 and A31812	68 (2.68)
A31813 and A31814	68 (2.68)
A31815	68 (2.68)
A31816	96 (3.78)
A31817	98.5 (3.88)

Remote keypad display mounting kit

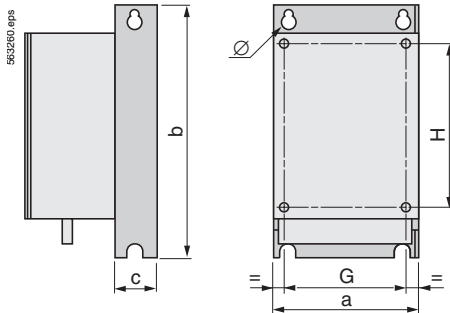
VW3A31101

Mounting footprint

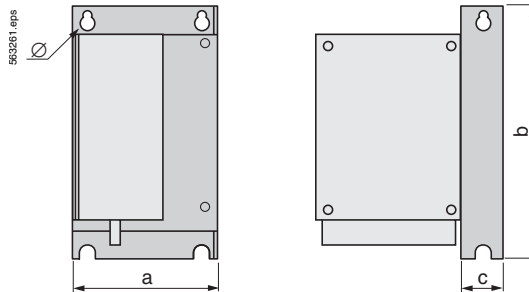


Additional EMC input filters

Mounting the filter beneath the drive



Mounting the filter adjacent to the drive



VW3*****	a	b	c	G	H	∅
A31401, A31402	72 (2.82)	195 (7.63)	37 (1.45)	52 (2.04)	180 (7.05)	4.5 (0.18)
A31403	107 (4.2)	195 (7.63)	35 (1.37)	85 (3.32)	180 (7.05)	4.5 (0.18)
A31404	107 (4.2)	195 (7.63)	42 (1.65)	85 (3.32)	180 (7.05)	4.5 (0.18)
A31405	140 (5.48)	235 (9.2)	35 (1.37)	120 (4.7)	215 (8.42)	4.5 (0.18)
A31406	140 (5.48)	235 (9.2)	50 (1.96)	120 (4.7)	215 (8.42)	4.5 (0.18)
A31407	180 (7.05)	305 (11.94)	60 (2.35)	140 (5.48)	285 (11.15)	5.5 (0.22)
A31408	245 (9.59)	395 (15.46)	80 (3.14)	205 (8.03)	375 (14.7)	5.5 (0.22)
A31409	245 (9.59)	395 (15.46)	60 (2.35)	205 (8.03)	375 (14.7)	5.5 (0.22)

Dimensions: mm (in.)