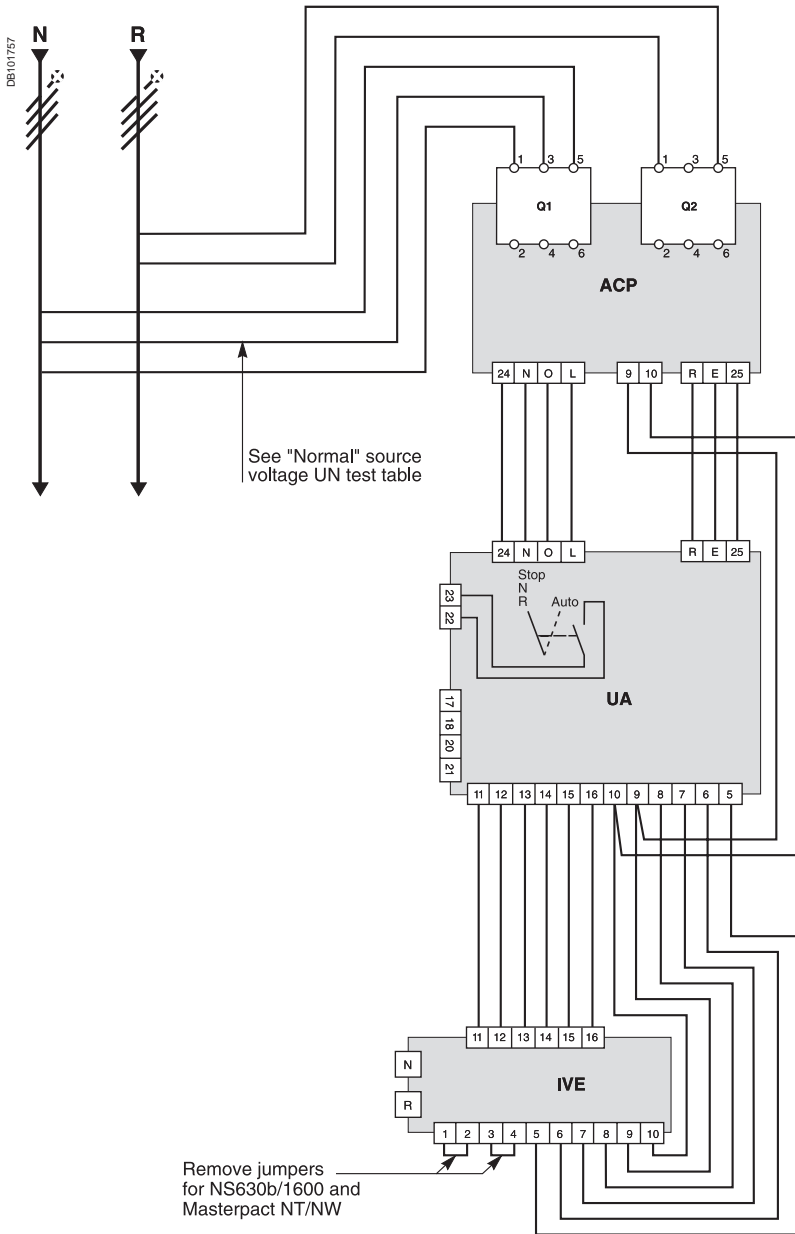


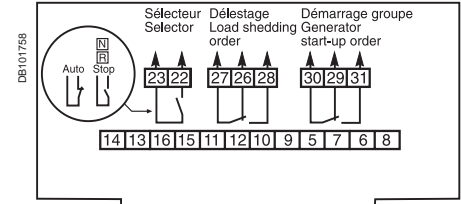
Source-changeover systems with automatic controllers

2 Compact NS100/1600 or Masterpact NT/NW devices

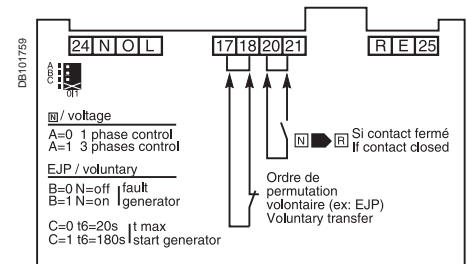
Source-changeover system with UA controller



Load shedding and genset management



Transfer conditions



Terminals 20 and 21:
additional control contact (not part of controller).

Tests on "Normal" and "Replacement" source voltages

"Normal" source voltage UN test

Ref. UA	29472 29474	29472 29474	29473 29475
Supply voltage	N / φ 220/240VAC 50/60Hz	φ / φ 220/240VAC 50/60Hz	φ / φ 380/415VAC 50/60Hz
Switch position			440V - 60Hz
A = 0			
A = 1			

"Replacement" source voltage UR test

The single-phase check for UR is implemented across terminals 1 and 5 of circuit breaker Q2.

Legends

- Q1** circuit breaker supplying and protecting the automatic-control circuits for the "Normal" source
- Q2** circuit breaker supplying and protecting the automatic-control circuits for the "Replacement" source
- ACP** auxiliaries control plate
- UA** automatic controller
- IVE** electrical interlocking and terminal block unit

Note:

diagram shown with circuits de-energised, circuit breakers open and relays in normal position.