

Double cylinder swinghandle with RC2

PROGRAM 1317

Double cylinder-swinghandle

Size: „long“ (189,5 mm; cut out 130 mm)
or
„short“ (164,5 mm; cut out 105 mm)

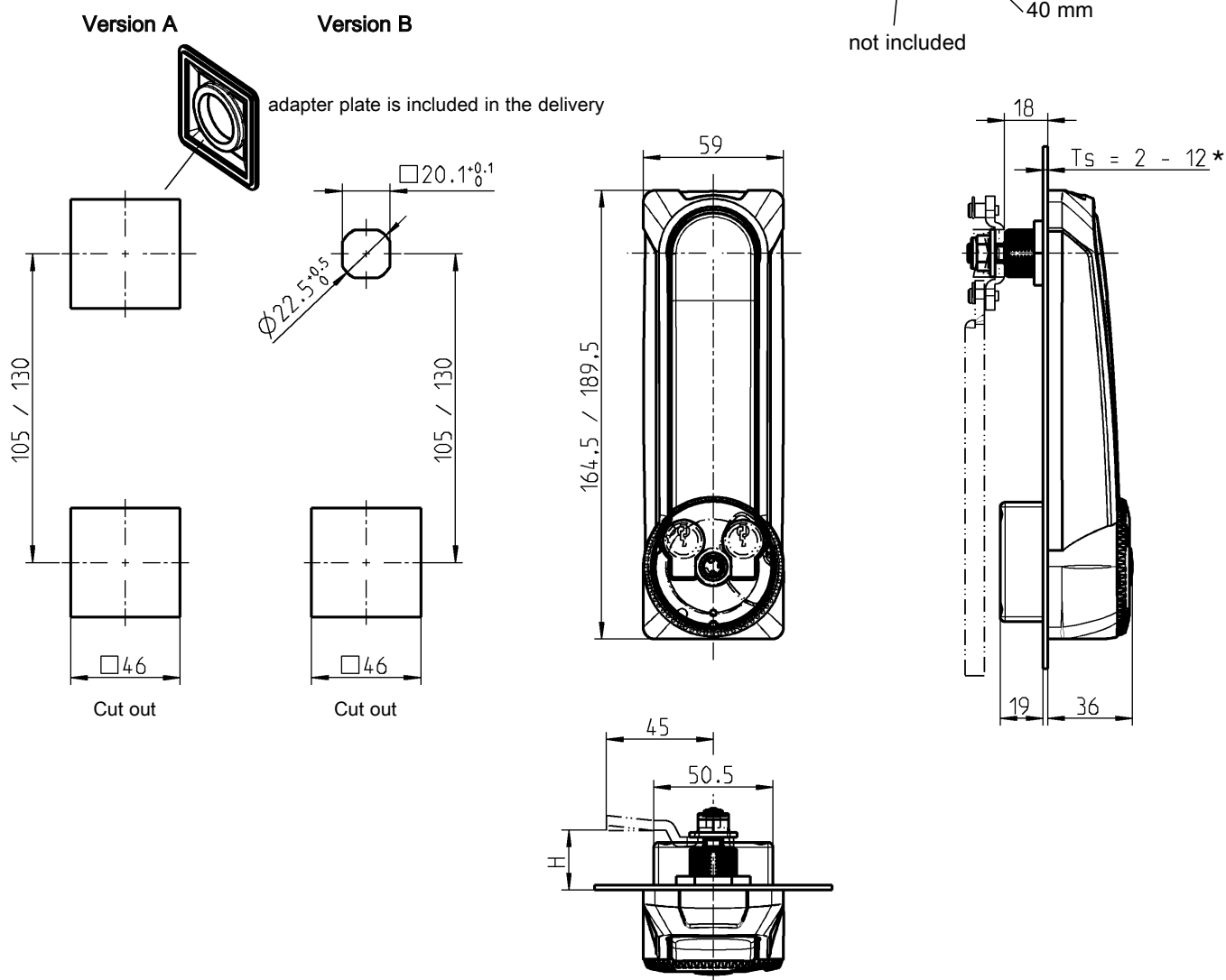
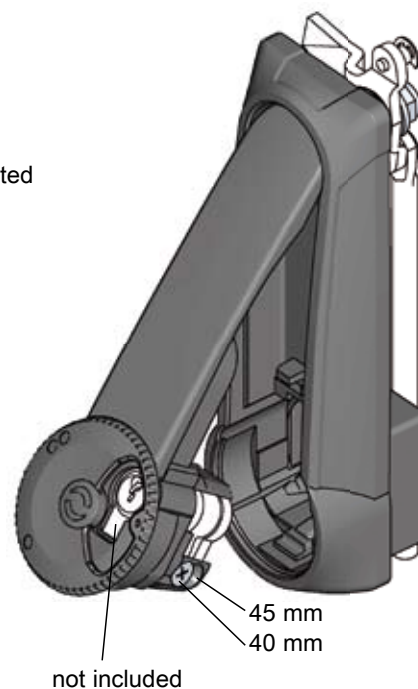
Material: zinc die black p.c.
or
GD-Zn grey powder coated (RAL 7038) and anti-graffiti coated
or
Polyamide black
or
Polyamide GF grey (RAL 7038)
Polyamide anti-graffiti coated on request

RC2: Swinghandle from GD-Zn

Profile half cylinder: 40 mm and 45 mm; set locking cam at 6 o'clock.

key removable: always removable or when the handle is put in

Sealable: yes, hole $\varnothing 2$ mm in the handle is necessary



Attention:

When using the adapter ring the maximum door gauge (TS) will be 6 mm.

Note:

The use of circular standard rod is not possible with a door gauge (Ts) > 6 mm!

* Ts > 6-12 on request

New defined standards

- The swinghandle from GD-Zn passed the test according to RC2 DIN V ENV 1630 successfully.
- The protection level test IK 10 following the DIN EN 50102 was passed successfully with the swinghandles from zinc die.
- integrated scratch protection prevents surface damage (handle / dish).



Swing handle "long" or "short"
dish and handle type as requested;
shaft brass or brass and POM GF black;
cylinder cover zinc die black powder coated or grey powder coated (RAL 7038);
cap zinc die black powder coated or polyamide GF V0 black;
adapter plate Polyamide GF V0 black for cut out version A;
fixing material m.s. zinc die; with seal and spring

Swinghandle "long" (189,5)

Version of choice:

1. GD-Zn black powder coated; cap GD-Zn black powder coated; shaft brass
2. Polyamide GF black; cap Polyamide GF V0 black; shaft brass and POM GF black

1. GD-Zn (RC2); key always removable	1317-U221
1. GD-Zn (RC2); key removable when the handle is put in	1317-U222
2. Polyamide; key always removable	1317-U321
2. Polyamide; key removable when the handle is put in	1317-U322

Swinghandle "long" (189,5)

Version of choice:

1. GD-Zn grey powder coated (RAL 7038) and anti-graffiti coated; cap GD-Zn black powder coated; shaft brass
2. Polyamide GF grey (RAL 7038); cap polyamide GF V0 black; shaft m.s. zinc plated

1. GD-Zn (RC2); key always removable	1317-U221-HJ
1. GD-Zn (RC2); key removable when the handle is put in	1317-U222-HJ
2. Polyamide; key always removable	1317-U321-BO
2. Polyamide; key removable when the handle is put in	1317-U322-BO

Swinghandle "short" (164,5)

Version of choice:

1. GD-Zn black powder coated; cap GD-Zn black powder coated; shaft brass
2. Polyamide GF black; cap polyamide GF V0 black; shaft brass and POM GF black

1. GD-Zn (RC2); key always removable	1317-U201
1. GD-Zn (RC2); key removable when the handle is put in	1317-U202
2. Polyamide; key always removable	1317-U301
2. Polyamide; key removable when the handle is put in	1317-U302

Swinghandle "short" (164,5)

Version of choice:

1. GD-Zn grey powder coated (RAL 7038) and anti-graffiti coated; cap GD-Zn black powder coated; shaft brass
2. Polyamide GF grey (RAL 7038); cap polyamide GF V0 black; shaft brass and POM GF black

1. GD-Zn (RC2); key always removable	1317-U201-HJ
1. GD-Zn (RC2); key removable when the handle is put in	1317-U202-HJ
2. Polyamide; key always removable	1317-U301-BO
2. Polyamide; key removable when the handle is put in	1317-U302-BO

Building key polyamide black

1004-44-01AA



Further parts see page

- Cam 3YC-120
- 3-point cam 3YC-180
- Profile half cylinder 3XB-220