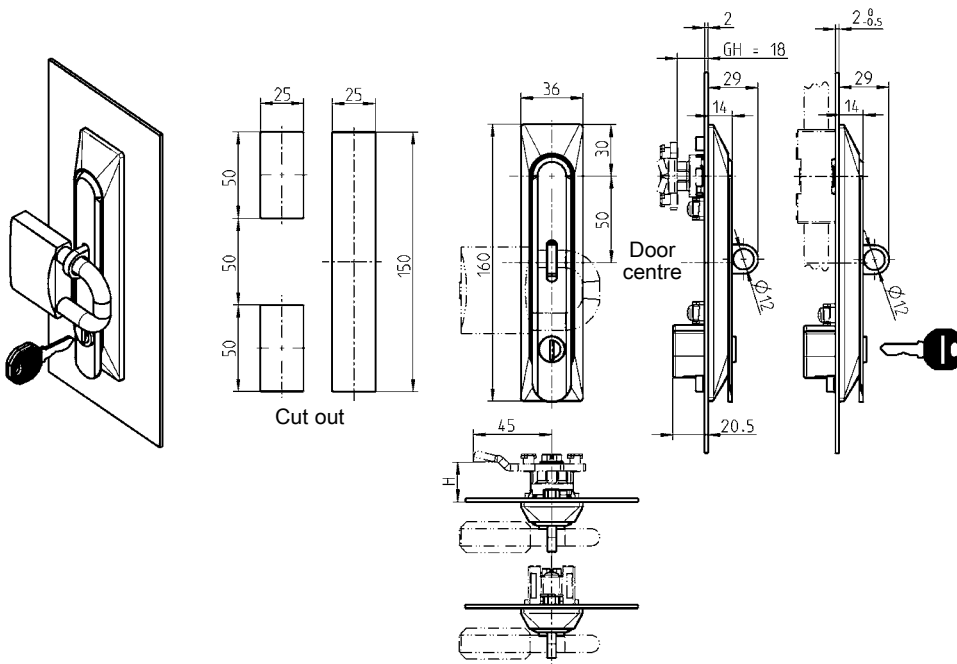


Swinghandle* 1150 for padlock with universal escutcheon

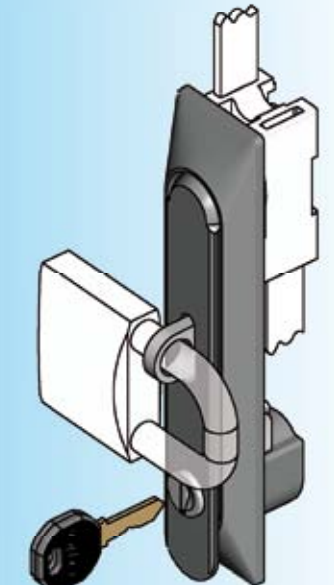
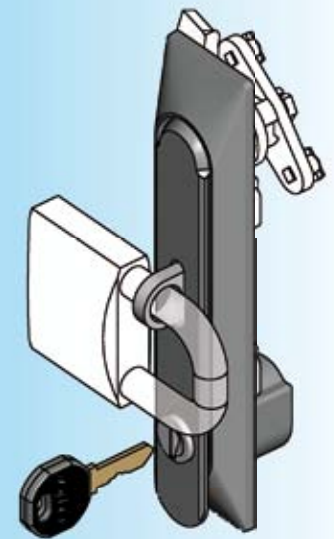
PROGRAM 1150



Attention:

Please order fixing material separatly.

Ts = 1,0 up to 3,0 mm depending on choice of fixing material



Swinghandle zinc die black powder coated, escutcheon polyamide black, shaft zinc die zinc plated, with seal, round cylinder zinc die with stainless steel cap and shutter
Each round cylinder has one silver steel key with polyamide grip GF black.

keyed EK 333	1150-U2-13
keyed different	1150-U4-13
Inserts: Chrome plated zinc alloy	
Square 6	1150-U9-13
Square 7	1150-U10-13
Square 8	1150-U11-13
Triangular 6,5 CNOMO	1150-U31-13
Triangular 7	1150-U12-13
Triangular 8	1150-U13-13
Double bit 3	1150-U14-13
Double bit 5	1150-U15-13
Daimler Benz	1150-U16-13
Slot 2x4	1150-U17-13
Hexagon 8 mm female with pin	1150-U18-13
Male hexagon 11 mm	1150-U19-13
Push button	1150-U20-13

* can be assembled in cut out of 1125/1225

Further parts see page

- Fixing material 3C-780
- Cam (GH = 18) 3YC-120
- Rod control 3YA-120
- 3YA-140
- Key 12B-120
- Spare key 12B-140

On request:

- Key retained in the unlocked position
- Other inserts
- handle blank (no locking system)