

XY2C* switch accessory

Pulley support XY2CZ705

- Image
- Function
- Dimensions
- Material

Simply easy!™



Telemecanique

Sensors

XY2CZ705 pulley support



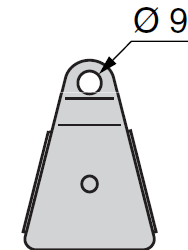
- Image



- Function

- Pulley support (pig-tail)

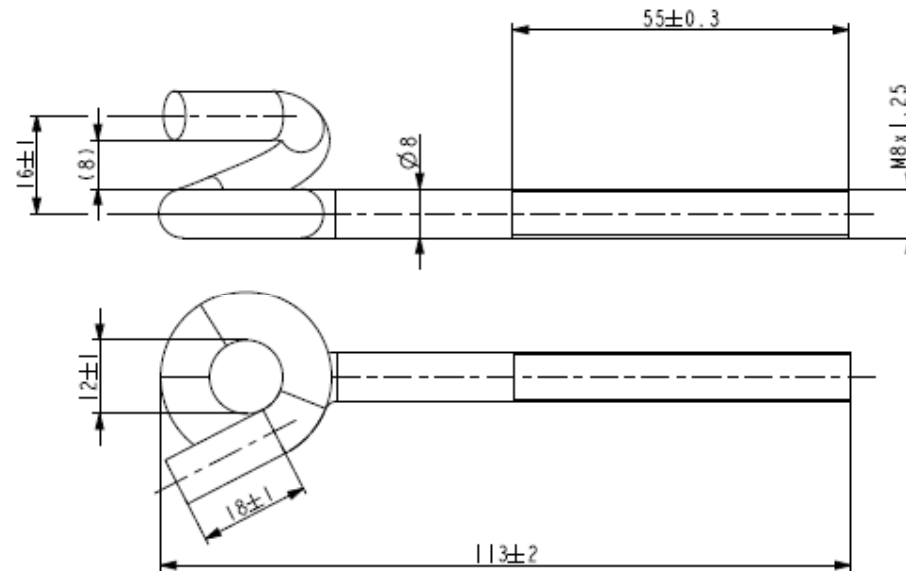
XY2 CZ708



- Dimensions

- In mm (millimetre)

Some dimensions are not contractual



- Material

- Metallic alloy C15E+A according to the EN 10084 standard, with surface treatment