

XY2C* switch accessory

Turnbuckle **XY2CZ404**

- Image
- Dimensions
- Material

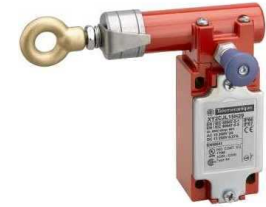
Simply easy!™



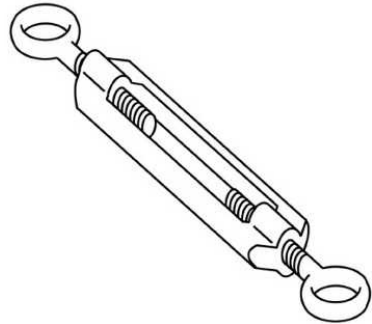
Telemecanique

Sensors

XY2CZ404 turnbuckle

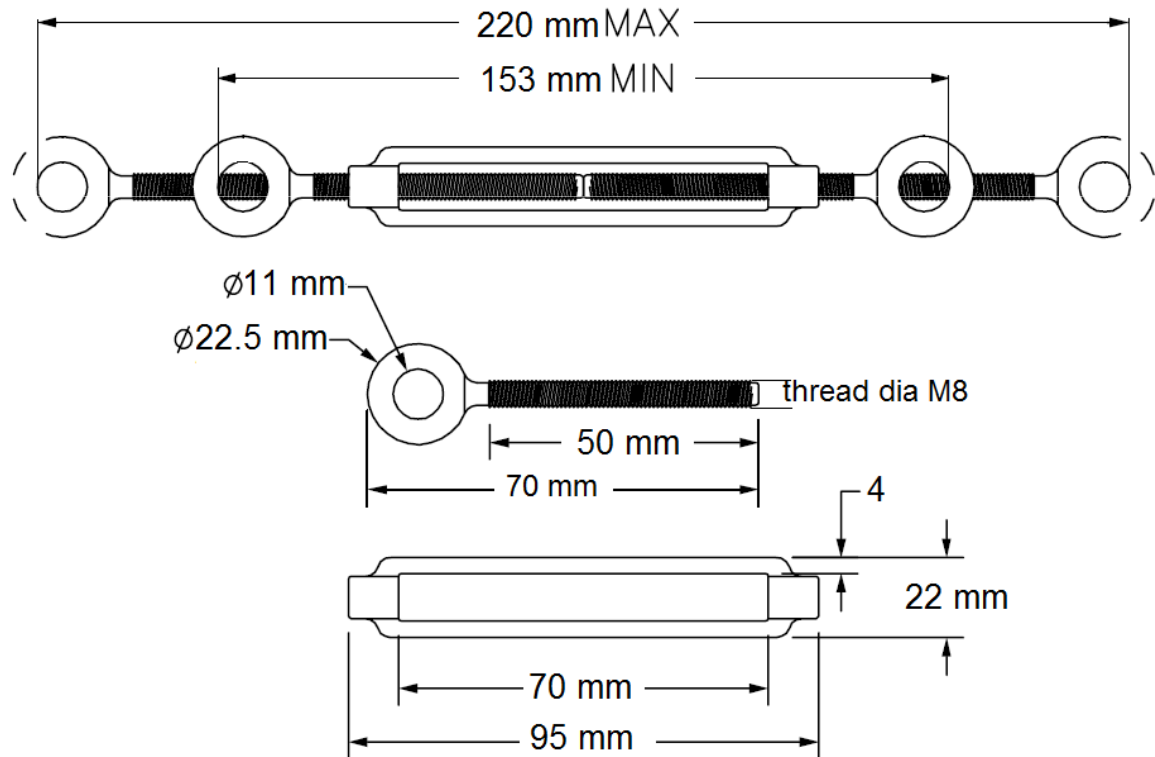


- Image



- Dimensions

- In mm (millimetre)
- M8 + locknut (not shown in the drawing)



- Materials

- Basic steel with some surface treatment