

XY2C* switch accessory

XY2CE bellow **XY2CZ901** sold separately

- Image
- Dimensions
- Material

Simply easy!™



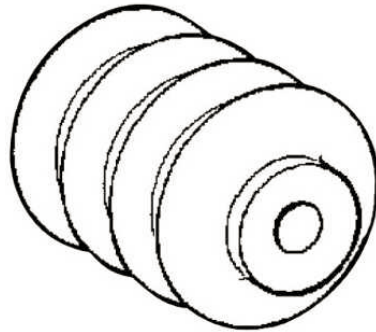
Telemecanique

Sensors

XY2CZ901 bellow in spare parts

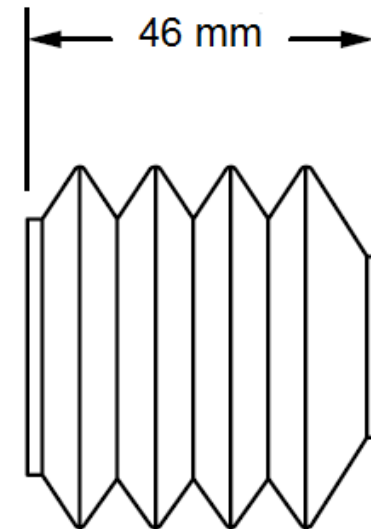
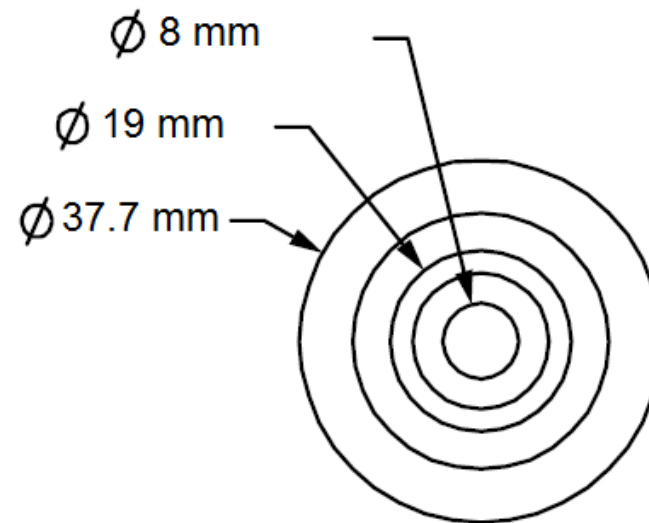


- Image



- Dimensions

- In mm (millimetre)
- Bellow length at rest



- Material

- Nitrile or NBR