

# XY2C\* switch accessory

End spring **XY2CZ703**

- Image
- Dimensions
- Material

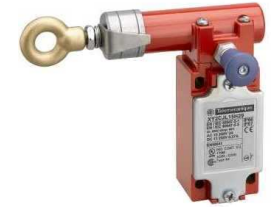
Simply easy!™



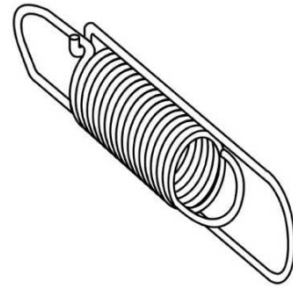
**Telemecanique**

**Sensors**

# XY2CZ703 end spring

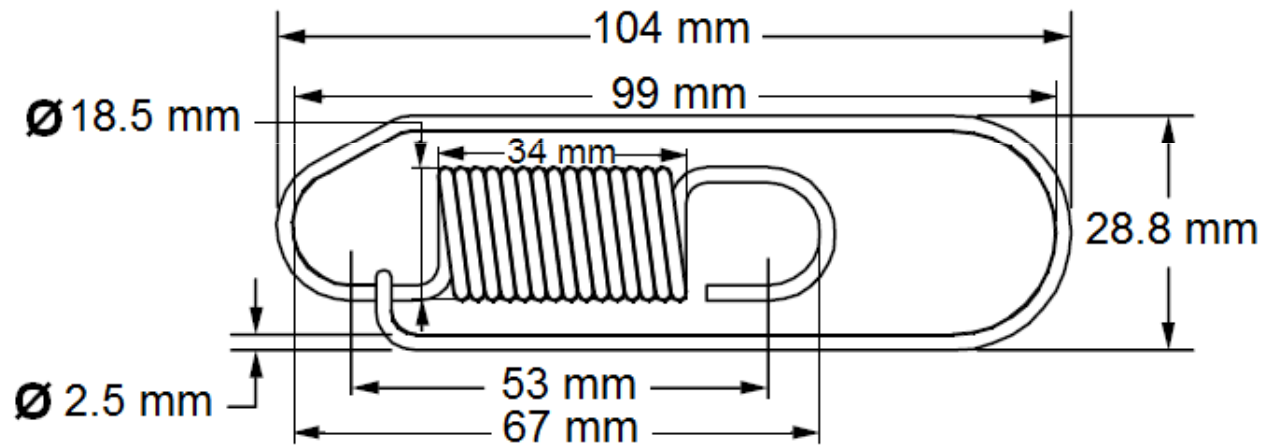


- Image



- Dimensions

- In mm (millimetre)



- Material

- Stainless steel Z10 CN 18-08, closed to AISI 302

- Suitable for rope switch installation

- XY2CH, XY2CJ with cable dia 3.2mm