

# XUSL4E cascaded curtains

FAQ about this special function

Simply easy!™



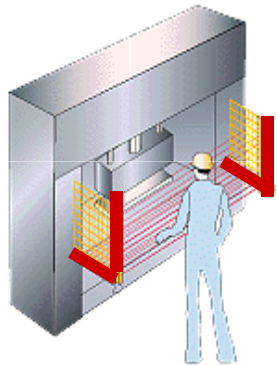
**Telemecanique**

**Sensors**

# XUSL4E cascaded light curtain

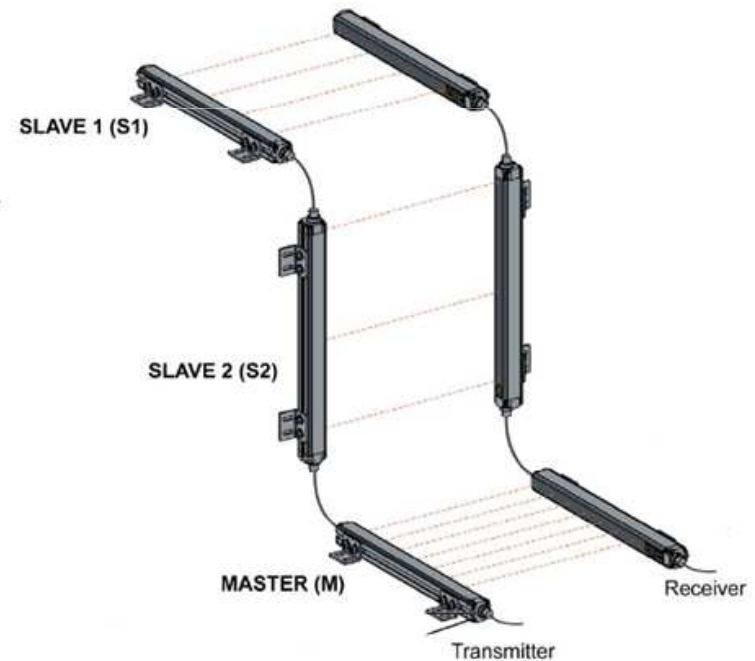
- Cascaded function description

- A cascaded XUSL4E light curtain system allows multiple transmitters and receivers to be daisy-chained, which gives it the flexibility to guard multiple areas of a machine.



- Features and Requirements

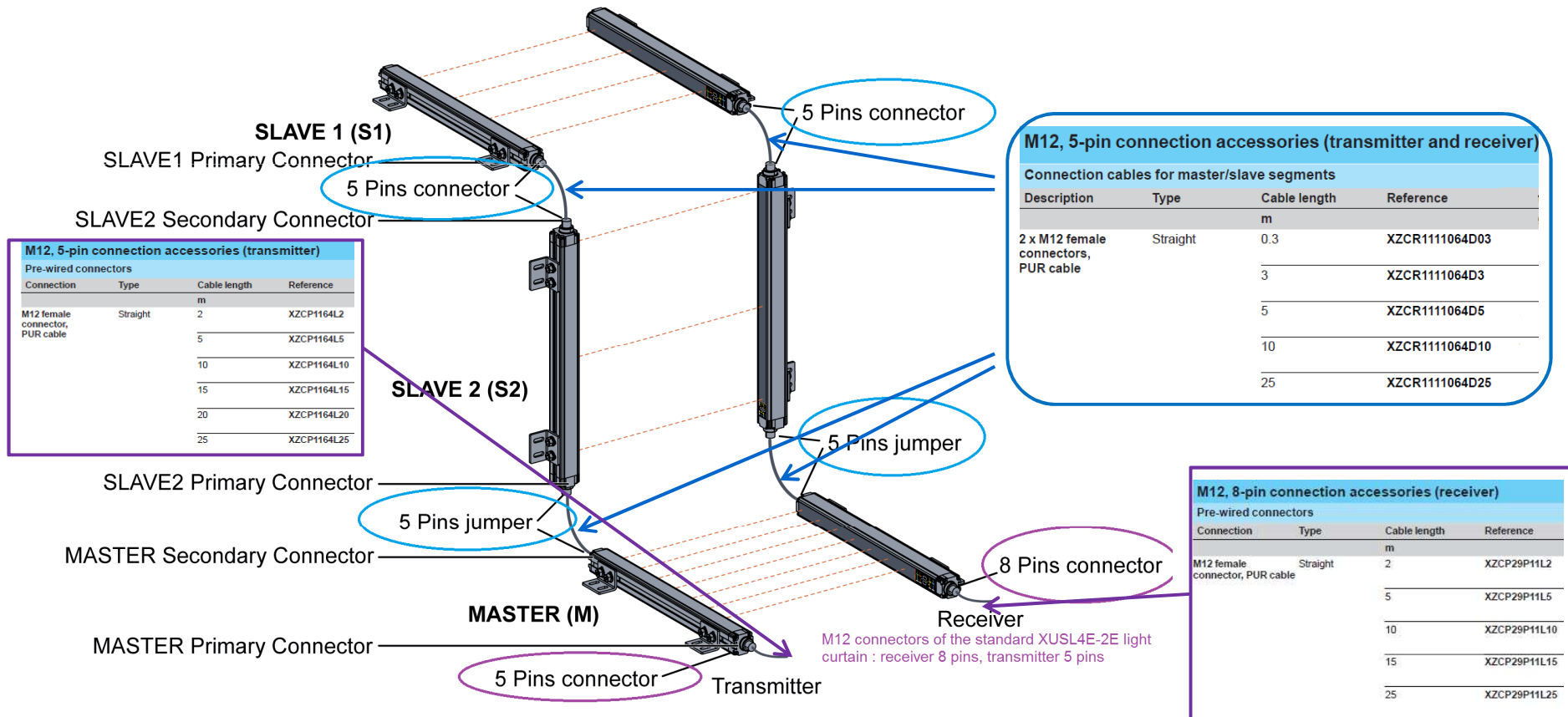
- Available in different protective heights
- Up to two slave segments can be daisy-chained
- Maximum size depends on the number of beams :
  - <180 beams for single segment
  - < 540 beams for total
- Different resolutions can be mixed
- The maximum cable length between each segment is 50 meters.



# XUSL4E cascaded light curtain

- How to cascade

- Refer to the XUSL2E-4E user manual from page 32, for all details
- Select master + S1 if only 2 segments; master + S2 + S1 if 2 segments



# XUSL4E cascaded light curtain

- FAQ (Frequent asked questions)

- **Is it possible to connect only master + slave 2 ?**

- No you need to connect master + slave 1 (S1) at the end of the cascade. Slave 2 (S2) is waiting slave 1 connection. Master + slave 2 provides an incomplete curtain in fault

- **Is it possible to operate only the master without any slave 1 ?**

- No in this case, the alone master is in fault. It is waiting for the slave 1 (S1) connection at least to operate properly. Alone the master considers the slave 1 is disconnected like a cascaded function defeat.

- **Can I mix a hand protection master M with a finger protection slave S1?**

- Yes, you can mix the cascaded light curtain with different resolutions or sensibilities for the master, slave 1 (S1) and slave 2 (S2) if used.